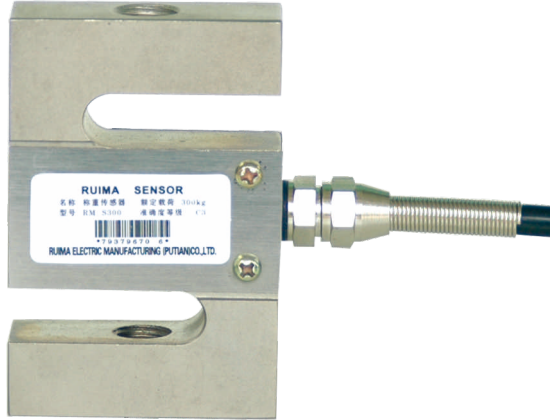


# RM-S5 S型拉压传感器

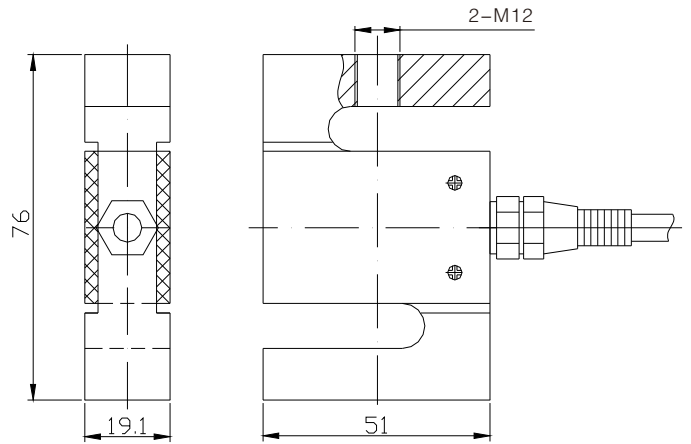


## 产品特性 Product Characteristic

双平等梁结构,精度高,结构紧凑,安装方便;可选配杆端关节轴承组件,应力孔封片采用整体式,提高防护能力;适用于机电结合秤,包装秤,分选秤及皮带秤,建机等。

This type is made with double girder, high precision and easy installation; It can be equipped with rod-end joint bearing subassembly, which will improve the product's ability to self-defend. Application range: levertronic scale, packing scale, batching scale, belt scale, building machine and so on.

## 外形图 Appearance Picture



## 技术参数 Technical Parameter

载荷特性 Load Speciality	
额定载荷 Maximum Capacity	50 ~ 500 kg
准确度等级 Accuracy Class	C3 C2
灵敏度 Sensitivity	2.0 ± 0.002% mv/v
非线性(含滞后) Nonlinearity(Included Hysteresis)	± 0.02% F.S
重复性 Repeatability	± 0.02% F.S
蠕变(30分钟) Creep(30 Min)	± 0.02% F.S
温度特性 Temperature Speciality	
温度对零点影响 Temperature Effect On Zero Balance	± 0.02% F.S/10℃
温度对灵敏度影响 Temperature Effect On Sensitivity	± 0.02% F.S/10℃
工作温度 Service Temperature Range	-30 ~ +70℃
温度补偿范围 Compensated Temperature Range	-20 ~ +60℃
机械特性 Machine Speciality	
安全承载 Safe Load Limit	150% F.S
极限承载 Lateral Load Limit	200% F.S

破坏载荷 Breaking Load	300% F.S
电气特性 Electric Speciality	
输入电阻 Input Resistance	400 ± 10Ω
输出电阻 Output Resistance	350 ± 2Ω
绝缘电阻 Insulation Resistance	≥ 5000MΩ
零点平衡 Zero Balance	± 1% F.S
推荐工作电压 Recommended Excitation	10V(DC)
最大工作电压 Maximum Excitation	15V DC
其它 Else	
材质 Construction	合金钢 Alloy steel
电缆长度 Cable Length	3M
密封等级 Protection Class	IP67
引用标准 Citation	GB/T7551-2008 OIMLR60
接线方式 Mode Of Connection	输入 + 红 Input+:Red 输入 - 黑 Input-:Black 输出 + 绿 Output+:Green 输出 - 白 Output-:White