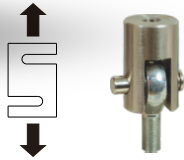


# RM-S2 S型拉压传感器



## 外型尺寸 Dimensions

量程(kg)	B(mm)	H(mm)	W(mm)	T
200-300	51	76.2	19	M12
500	50.8	76.2	25.4	M12
1000-1500	50.8	76.2	25.4	M16
2000	76.2	108	25.4	M18
3000-5000	76.2	108	25.4	M18

## 技术参数 Technical Parameter

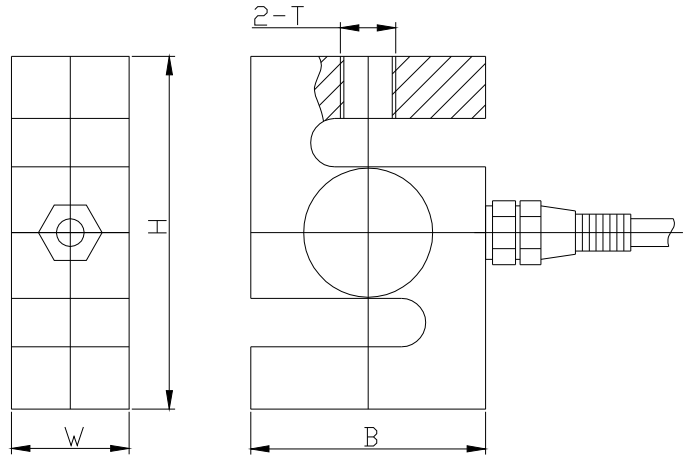
载荷特性 Load Speciality	
额定载荷 Maximum Capacity	200kg ~ 5000kg
准确度等级 Accuracy Class	C2 C3
灵敏度 Sensitivity	2.0 ± 0.002% mv/v
非线性(含滞后) Nonlinearity(Included Hysteresis)	± 0.05% F.S
重复性 Repeatability	± 0.05% F.S
蠕变(30分钟) Creep(30 Min)	± 0.05% F.S
温度特性 Temperature Speciality	
温度对零点影响 Temperature Effect On Zero Balance	± 0.05% F.S/10℃
温度对灵敏度影响 Temperature Effect On Sensitivity	± 0.05% F.S/10℃
工作温度 Service Temperature Range	-30 ~ +70℃
温度补偿范围 Compensated Temperature Range	-20 ~ +60℃
机械特性 Machine Speciality	
安全承载 Safe Load Limit	150% F.S
极限承载 Lateral Load Limit	200% F.S

## 产品特性 Product Characteristic

本产品采用S型结构设计,综合精度高,稳定性好;适用于吊钩秤,配料秤,机械衡的机电改造等各种称重领域.可选配连接件.

The product is applied with "S" appearance, high accuracy, good stability and made of best alloy steel. This product is suitable for hook balance, burden balance, building machinery fields and so on.

## 外形图 Appearance Picture



破坏载荷 Breaking Load	300% F.S
电气特性 Electric Speciality	
输入电阻 Input Resistance	400 ± 20Ω 380 ± 20Ω
输出电阻 Output Resistance	350 ± 2Ω
绝缘电阻 Insulation Resistance	≥ 5000MΩ
零点平衡 Zero Balance	± 1% F.S
推荐工作电压 Recommended Excitation	10V(DC)
最大工作电压 Maximum Excitation	15V DC
其它 Else	
材质 Construction	合金钢 Alloy steel
电缆长度 Cable Length	3M 5M
密封等级 Protection Class	IP67
引用标准 Citation	GB/T7551-2008 OIMLR60
接线方式 Mode Of Connection	输入 + 红 Input+:Red 输入 - 黑 Input-:Black 输出 + 绿 Output+:Green 输出 - 白 Output-:White