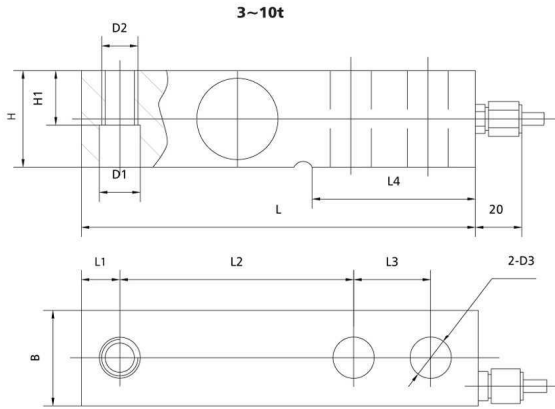
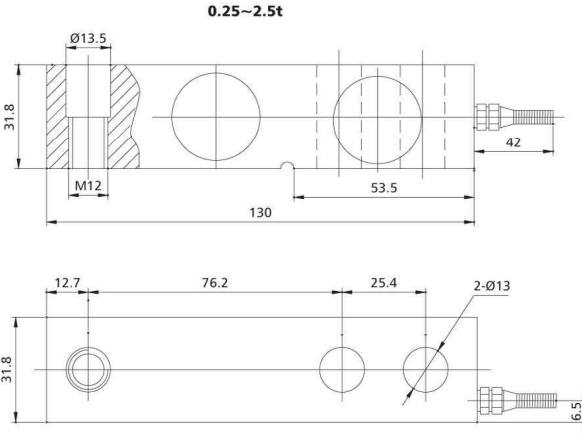


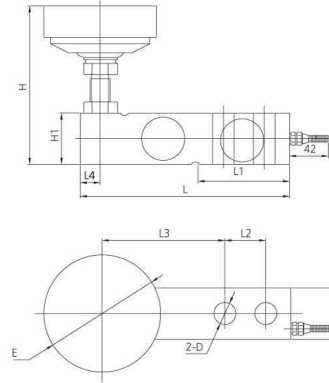
SQB/SQB-A/-S/-SS Loadcell

SQB/SQB-A/-S/-SS



额定载荷(t) Rated Load	3.5	7.5,10
L	171.5	225.5
L1	19	25.3
L2	95.3	124
L3	38.1	50.8
L4	72.5	102
H/H1	38.1	50.8
H1	26	25.4
D1	φ20	φ27
D2	M18x1.5	M24x2
D3	φ20	φ27

SQB/-A/-S/-SS Bottom Components/Weighing Module

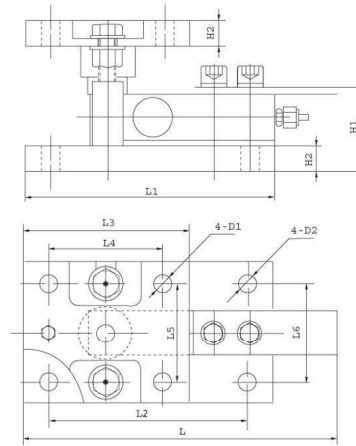
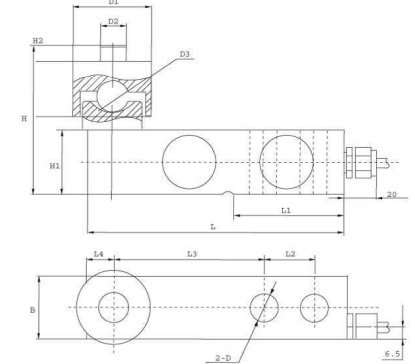


0.5~10t 活动压头结构

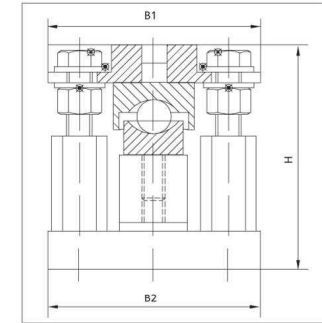
额定载荷(t) Rated Load	L	L1	L2	L3	L4	B	H	H1	D	E
0.5~2.5	130	53.5	25.4	76.2	12.7	31.8	85-90	31.8	φ13	φ62
3.5	171.5	72.5	38.1	95.3	19	38.1	104-114	38.1	φ20	φ62
7.5~10	225.5	102	50.8	124	25.3	50.8	132-144	50.8	φ27	φ80

额定载荷(t) Rated Load	L	L1	L2	L3	L4	B	H	H1	H2	D	D1	D2	D3
0.5~2.5	130	53.5	25.4	76.2	12.7	31.8	78.8	31.8	12	φ13	φ38	φ12	5φ16
3.5	171.5	72.5	38.1	95.3	19	38.1	94.1	38.1	10	φ20	φ50	φ16	5φ20
7.5~10	225.5	102	50.8	124	25.3	50.8	130	50.8	107	φ27	φ64	φ20	5φ32

0.5~10t 钢球压头结构



SQB-S 1~5t 称重模块

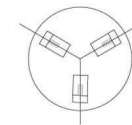


额定载荷(t) Rated Load	H	H1	H2	B1	B2	D1	D2	L	L1	L2	L3	L4	L5	L6
1,1.5,2,2.5	106	58	18	100	100	φ13	φ13	210	175	140	116	80	70	70
3.5	135	73	23	160	160	φ17	φ17	270	235	220	150	100	90	90

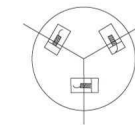
TECHNICAL PARAMETER | Exc+(红,Red); Exc-(黑,Black); Sig+(绿,Green);Sig-(白,White)

额定载荷 Rated Load	0.25,0.5,0.75,1,1.5,2,2.5,3,5,7.5,10t	工作温度范围 Operating Temp Range	-30~+70°C
灵敏度 Sensitivity	3.0±0.003mV/V(0.5~10t),2.0±0.002mV/V(0.25t)	安全过载 Safe load limit	150%F.S
综合误差 Total error	±0.02%F.S; ±0.03%F.S	极限过载 Over load limit	250%F.S
蠕变(30分钟) Creep(30min)	±0.02%F.S	推荐激励电压 Recommend excitation	10~12V DC
零点平衡 Zero balance	±1%F.S	最大激励电压 Maximum excitation	15V DC
零点温度影响 TCO	±0.02%F.S/10°C	密封等级 Protection Class	IP67(0.25~0.75t);IP68(1~10t)
输出温度影响 TC SPAN	±0.02%F.S/10°C	材质 Construction	合金钢 Alloy Steel, -S/-SS: 不锈钢 Stainless Steel
输入阻抗 Input resistance	400±10Ω	电缆 Cable	
输出阻抗 Output resistance	352±2Ω		Length:5m
绝缘电阻 Insulation resistance	≥5000MΩ		Diameter:φ6mm

SQB-S 称重模块安装方式



径向安装 Radial Install



切向安装 Cutting Install



矩形安装 Rectangle Install